

POWERWORX™ e³

WHOLE HOUSE ENERGY MANAGEMENT SYSTEM

OWNER'S MANUAL

read these instructions before use • save this manual

MODEL E3-1R240

- Installation
- Operation
- Specifications
- Warranty



310 T. Elmer Cox Drive
Greenville, TN 37743
1.800.989.2299

WARNING:

1. Opening the unit without prior permission from EcoTrust Energy will void its warranty coverage. Contact EcoTrust Energy at 1.800.989.2299 if you have any questions.
2. Apply this unit to 240V AC, 50/60Hz, single phase residential load only.
3. The unit must be mounted vertically, in a dry location, using the four mounting holes.
4. The unit must be installed by a licensed electrician in compliance with local electrical code.
5. IMPORTANT! This unit must be connected directly to a dedicated circuit breaker. Do not, under any circumstances, hard-wire install without a dedicated breaker!

YOU WILL NEED:

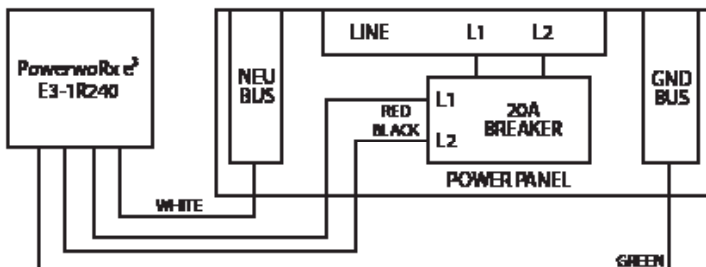
1. A dedicated, 2-pole, 20 Amp, circuit breaker.
2. Appropriate tools including conduit.
3. A licensed electrician for installation.

MOUNTING THE POWERWORX E3 (E3-1R240)

1. Inspect the exterior of the unit to ensure that it has not been damaged in transit. Ensure that the front label/overlay is still intact, that the warranty seals are intact, and that the cables protruding from the unit have not been damaged.
2. Mount the unit to a clean, dry wall near the power panel. Lengthening of the wires to accommodate mounting the unit further away from the panel than the current wiring allows may be necessary. As a general rule, the length of the wires should be kept as short as possible and electricians should follow standard electrical code regarding adding wire to the unit. When mounted, the phase indication lights should be visible.
3. Run conduit (according to code) between the conduit connector on the box, and the power panel, and feed the connection cables through the conduit into the power panel.

INSTALLATION PROCEDURES:

1. If possible, de-energize the power panel prior to connection of the PowerwoRx e³ unit.
2. Install the circuit breaker onto the power panel.
3. Connect the (red) L1 and (black) L2 wires to the circuit breaker, the ground cable (green) to the ground bus, and the neutral cable (white) to the neutral bus, as shown in the diagram below.



TEST PROCEDURES:

1. Energize the power panel.
2. Close the circuit breaker leading to the Powerworx e³ unit.
3. Check if Line 1 and Line 2 indicator lights are on: IF NO - De-energize the unit and check if cables are connected correctly.

Check the ground cable connections.

If problem persists, call EcoTrust Energy at 1.800.989.2299.

4. Keep these instructions near the unit for future use.

RATINGS:

Voltage: 240V AC, 1-Phase,
50/60Hz

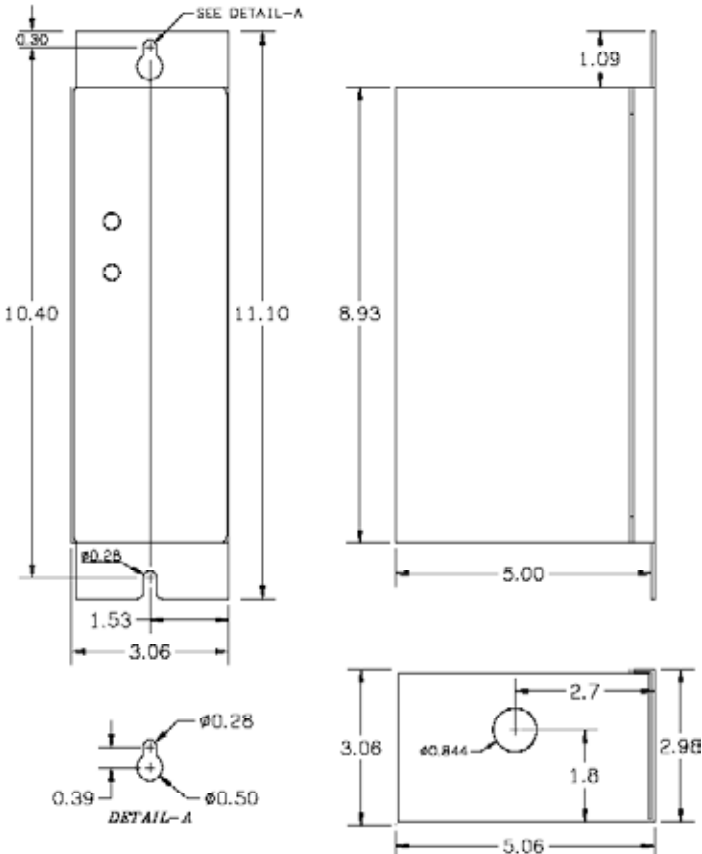
Configuration: 3-wire plus ground

Capacitance: 30µf

Line Current: 2.7 A at 240V AC

KVA Rating: .65 at 240V AC

DIMENSIONS:





310 T. Elmer Cox Drive
Greeneville, TN 37743
1.800.989.2299

